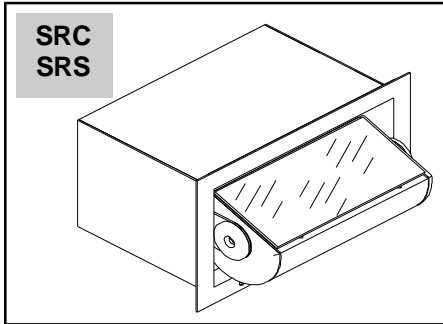


**OUTDOOR  
ARCHITECTURAL  
LUMINAIRES**

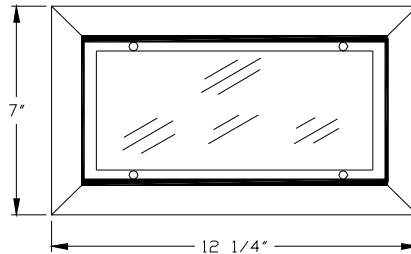
# ARIDA WT500 SERIES

Semi-Recessed  
Remote Ballast

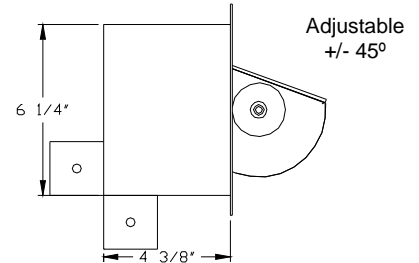
Quartz Halogen/ Ceramic Metal Halide  
Metal Halide / Compact Fluorescent



**DIMENSIONS**



**MOUNTING BRACKET**



**ORDERING**

PREFIX	MOUNTING TYPE	VOLTAGE	FINISH	OPTIONS
<b>Quartz Halogen</b> <b>WT500</b> (1)-Q250 Max. (T4, Mini-Can) <b>WT510</b> (1)-Q350 Max. (T3, RSC)	<b>SRC</b> Recessed housing for concrete construction	1. 120V 2. 277V	<b>TW</b> Textured White <b>TBL</b> Textured Black <b>TBR</b> Textured Bronze <b>TN</b> Textured Natural <b>TS</b> Textured Sandstone <b>TV</b> Textured Verdi	<b>WVS</b> Solid cutoff visor <b>WBF</b> Internal Baffle <b>WCVG</b> Colored tempered glass filter in visor frame <b>WCVD</b> Colored dichroic glass filter in visor frame
<b>Metal Halide</b> <b>WT523</b> (1)-100W MH (T6, G12)	<b>SRS</b> Recessed housing for stud/joist construction	3. 208V 4. 240V	<b>SF</b> Specify Finish (See Color Chart)	<b>WLV</b> External Louvered Visor <b>EB</b> Integral electronic ballast for HID fixtures
<b>Ceramic Metal Halide</b> <b>WT517</b> (1)-39W CMH (T6, G12) <b>WT522</b> (1)-70W CMH (T6, G12) <b>WT527</b> (1)-150W CMH (T6, G12)	Semi-Recessed  Electronic Integral Ballast	7. 347V	<b>CC</b> Custom Color (Contact Factory)	<b>DLB</b> Damp location remote ballast is standard
<b>Compact Fluorescent *</b> <b>WT572</b> (1)-F26W DTT (PLT, GX24q-4)	Integral Fluorescent Ballasts			
Ordering Example: WT 500 / SRC/SRS / 1 / TW / WVS * Fluorescent only available in 120V, 277V, & 347V ** Contact Factory for Color Selection				

**SPECIFICATIONS**

**Fixture Housing:** Sealed, high grade extruded aluminum with die-cast aluminum end plates welded in place. Flush stainless steel socket cap bolts allow easy aiming adjustment.

**Recessed Housing:** Die-formed aluminum and provided with a cast J-box for through wiring. An SRS back box is provided with a thermal protector and is suitable for Non IC installations.

**Lens:** Single piece cast aluminum doorframe held in place by four retained stainless steel socket head screws. Lens is tempered micro-prismatic glass. Lens is sealed to housing with a single piece molded rubber gasket.

**Reflector:** Die formed, 95% reflective, peened, specular, anodized aluminum that provides clean, even distribution with no streaks or striations.

**Finish:** All surfaces are pretreated in a phosphate wash, finished to 3 mil. thickness with TGIC powder paint with ultraviolet inhibitors.

**Electrical:** Damp location MH and CMH ballasts are provided as standard for remote mounting. The ballasts are thermally protected high power factor encapsulated F-can type. For Wet locations high power factor core coil ballasts installed in a NEMA 3R enclosure are optional.

**Labels:** Luminaires are UL and CUL approved for Wet locations in all mounting positions.



PREFIX	MOUNTING TYPE	VOLTAGE	FINISH	OPTIONS
WT5____	SR_____			

APPROVED: \_\_\_\_\_

JOB NAME: \_\_\_\_\_

TYPE: \_\_\_\_\_

Insight Lighting reserves the right to change specifications without notice due to product improvements.

**INSIGHT**

Rio Rancho, NM 87144  
 TEL: 505 345-0888  
 www.insightlighting.com

WT500- SRC/ SRS 04-2008