

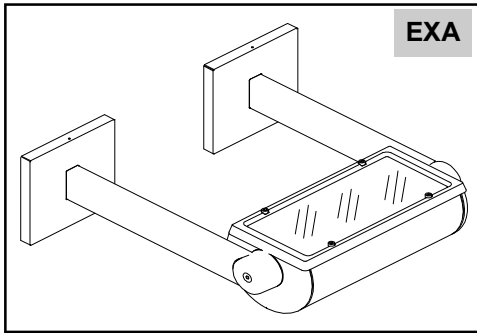
OUTDOOR
ARCHITECTURAL
LUMINAIRES



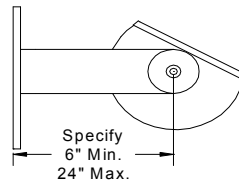
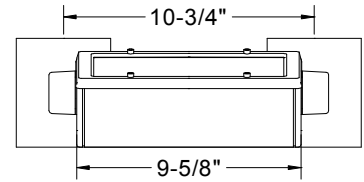
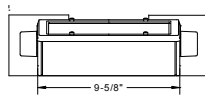
ARIDA WT500 SERIES

Extended Arm Mount
Remote Ballast

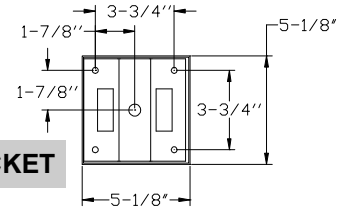
Quartz Halogen / Ceramic Metal Halide /
Compact Fluorescent



DIMENSIONS



Adjustable
180°



MOUNTING BRACKET

ORDERING

PREFIX	MOUNTING	VOLTAGE	FINISH	OPTIONS
Quartz Halogen (100-350W Available in 120V) WT500 (1)-Q250 Max. (T4, Mini-Can) WT510 (1)-Q350 Max. (T3 RSC)	EXA Extended Arm Mount () Specify length in inches	Quartz 1. 120V	TW Textured White TBL Textured Black TBR Textured Bronze TN Textured Natural TS Textured Sandstone TV Textured Verdi	VS Solid cutoff visor BF Internal baffle CVG Colored tempered glass filter in visor frame CVD Colored dichroic glass filter in visor frame
Ceramic Metal Halide WT517 (1)-39W CMH (T6, G12) WT522 (1)-70W CMH (T6, G12) WT527 (1)-150W CMH (T6, G12)		ANSI# M130 M139 M142	HID./ FL. 1. 120V 2. 277V	SF Specify Finish (See Color Chart) CC Custom Color (Contact Factory)
Compact Fluorescent WT572 (1)-F26W DTT (PLT, GX24q-4)	Remote Ballast			
Fluorescent Ballast are integral				
Consult Factory for Specific Lamp Requirements				

Ordering Example: WT 517/ EXA / 1 / TW / VS

SPECIFICATIONS

Housing: Sealed, high grade extruded aluminum with die-cast aluminum end plates, secured by flush, stainless steel socket cap screws allowing for ease of adjustment on the extruded aluminum support arms.

Lens: Single piece cast aluminum doorframe held in place by four stainless steel socket head screws. Lens is tempered micro-prismatic glass. Lens is sealed to housing with a single piece molded silicone gasket.

Reflector: Die-formed, 95% reflective, peened, specular, anodized aluminum that provides clean, even distribution with no streaks or striations.

Finish: All surfaces are pretreated in a phosphate wash, finished to 3 mil. thick with TGIC powder paint with ultraviolet inhibitors.

Electrical: Damp location electronic CMH ballasts with a Class 'A' sound rating mounted in NEMA 1 enclosures are standard for remote mounting. Wet location ballasts are optional and installed in a NEMA 3R enclosure. REMOTE DISTANCE IS LIMITED, CONSULT FACTORY

Labels: Luminaires are UL and CUL approved for Wet locations in all mounting positions. 150W CMH FIXTURES ARE EISA COMPLIANT.



PREFIX	MOUNTING TYPE	VOLTAGE	FINISH	OPTIONS
WT5___	EXA			

APPROVED: _____

JOB NAME: _____

TYPE: _____

Insight Lighting reserves the right to change specifications without notice due to product improvements.

INSIGHT

Rio Rancho, NM 87144
TEL: 505 345-0888
www.insightlighting.com

WT500-EXA 06JUN09