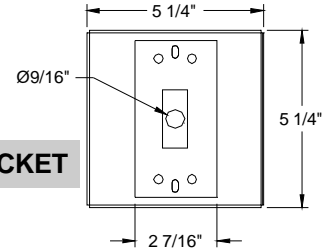
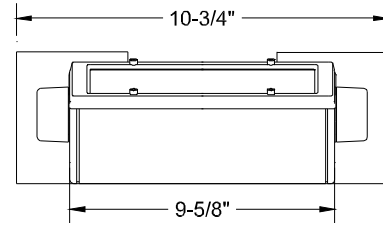
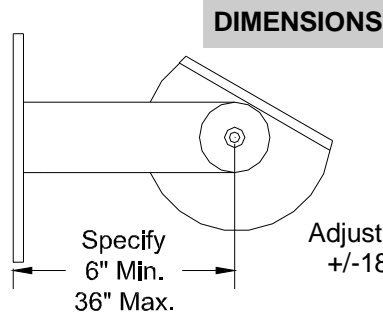
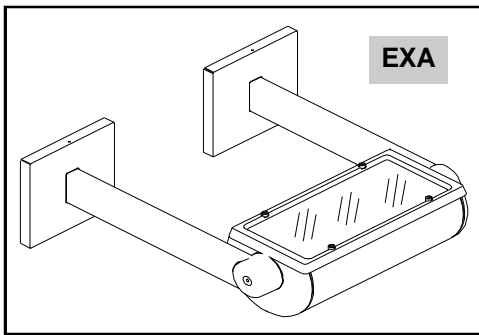


**OUTDOOR
ARCHITECTURAL
LUMINAIRES**

ARIDA WT500 SERIES

Extended Arm Mount
Remote Ballast

Quartz Halogen / Ceramic Metal Halide
Metal Halide / Compact Fluorescent



MOUNTING BRACKET

ORDERING

PREFIX	MOUNTING TYPE	VOLTAGE	FINISH	OPTIONS
Quartz Halogen (100-350W Available in 120V) WT500 (1)-Q250 Max. (T4, Mini-Can) WT510 (1)-Q350 Max. (T3 RSC)	EXA Extended Arm Mount Remote Ballast () Specify length in inches	1. 120V	TW Textured White	WVS Solid cutoff visor
Metal Halide WT523 (1)-100W MH (T6, G12)		2. 277V	TBL Textured Black	WBF Internal baffle
Ceramic Metal Halide WT517 (1)-39W CMH (T6, G12) WT522 (1)-70W CMH (T6, G12) WT527 (1)-150W CMH (T6, G12)	Fluorescent Ballast are integral	3. 480V	TBR Textured Bronze	WCVG Colored tempered glass filter in visor frame
Compact Fluorescent * WT572 (1)-F26W DTT (PLT, GX24q-4)		4. 347V	TN Textured Natural	WCVD Colored dichroic glass filter in visor frame
			TS Textured Sandstone	WLV External louvered visor
			TV Textured Verdi	WLB Wet location remote ballast
			SF Specify Finish (See Color Chart)	DLB Damp location remote ballast is standard.
			CC Custom Color (Contact Factory)	EB Electronic CMH ballast 120V and 277V only.

Ordering Example: WT 517/ EXA / 1 / TW / WVS * Fluorescent only available in 120V, 277V, & 347V ** Contact Factory for Color Selection

SPECIFICATIONS

Housing: Sealed, high grade extruded aluminum with die-cast aluminum end plates, secured by flush, stainless steel socket cap screws allowing for ease of adjustment.

Lens: Single piece cast aluminum doorframe held in place by four retained stainless steel socket head screws. Lens is tempered micro-prismatic glass. Lens is sealed to housing with a single piece molded rubber gasket.

Reflector: Die-formed, 95% reflective, peened, specular, anodized aluminum that provides clean, even distribution with no streaks or striations.

Finish: All surfaces are pretreated in a phosphate wash, finished to 3 mil. thick with TGIC powder paint with ultraviolet inhibitors.

Electrical: Damp location Ceramic Metal Halide and Metal Halide ballasts standard for remote mounting are encapsulated, thermally protected, high power factor, F-can type ballasts. Optional Wet location Ceramic Metal Halide and Metal Halide ballasts for remote mounting are core / coil, high power factor type ballasts mounted in a NEMA 3R wet location enclosure. Fluorescent ballasts are electronic, high power factor, less than 10% THD, thermally protected and integral to the fixture

Labels: Luminaires are UL and CUL approved for Wet locations in all mounting positions.



PREFIX	MOUNTING TYPE	VOLTAGE	FINISH	OPTIONS
WT5____	EXA			

APPROVED: _____

JOB NAME: _____

TYPE: _____

Insight Lighting reserves the right to change specifications without notice due to product improvements.

INSIGHT

Rio Rancho, NM 87144
TEL: 505 345-0888
www.insightlighting.com

WT500-EXA

04-2008