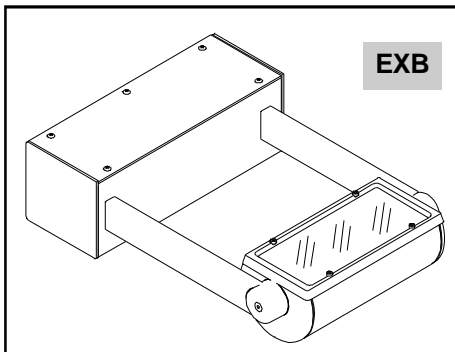


**OUTDOOR  
ARCHITECTURAL  
LUMINAIRES**

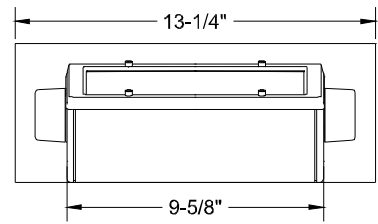
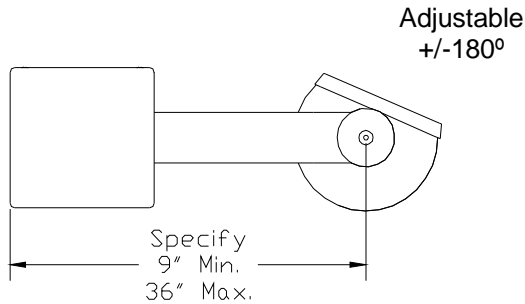
# ARIDA WT500 SERIES

Extended Arm Mount  
Integral Ballast

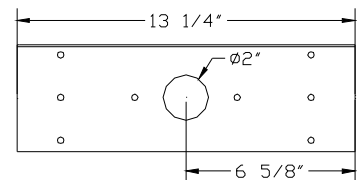
Ceramic Metal Halide / Metal Halide



**DIMENSIONS**



**MOUNTING BRACKET**



**ORDERING**

PREFIX	MOUNTING TYPE	VOLTAGE	FINISH	OPTIONS
<b>Metal Halide</b> WT523 (1)-100W MH (T6, G12)	EXB  Extended Arm Mount	1. 120V	TW Textured White	WVS Solid cutoff visor
<b>Ceramic Metal Halide</b> WT517 (1)-39W CMH (T6, G12) WT522 (1)-70W CMH (T6, G12) WT527 (1)-150W CMH (T6, G12)		2. 277V	TBL Textured Black	WBF Internal baffle
	Integral Ballast	3. 208V	TBR Textured Bronze	WCVG Colored tempered glass filter in visor frame
		4. 240V	TN Textured Natural	WCVD Colored dichroic glass filter in visor frame
		7 347V	TS Textured Sandstone	WLV External louvered visor
			TV Textured Verdi	DLB Damp location remote ballast is standard.
			SF Specify Finish (See Color Chart)	EB Electronic CMH ballast 120V and 277V only.
			CC Custom Color (Contact Factory)	

Ordering Example: WT 517 / EXB / 1 / TW / WVS \*\* Contact Factory for Color Selection

**SPECIFICATIONS**

**Housing:** Sealed, high grade extruded aluminum with die-cast aluminum end plates welded in place. Flush stainless steel socket cap bolts allow easy aiming adjustment.

**Lens:** Single piece cast aluminum doorframe held in place by four retained stainless steel socket head screws. Lens is tempered micro-prismatic glass. Lens is sealed to housing with a single piece molded rubber gasket.

**Reflector:** Die-formed, 95% reflective, peened, specular, anodized aluminum that provides clean, even distribution with no streaks or striations.

**Finish:** All surfaces are pretreated in a phosphate wash, finished to 3 mil. thickness with TGIC powder paint with ultraviolet inhibitors.

**Electrical:** Integral Ceramic Metal Halide and Metal Halide core / coil, high power factor type ballasts are standard and are mounted within the fixtures ballast enclosure.

**Labels:** Luminaires are UL and CUL approved for Wet locations in all mounting positions.



PREFIX	MOUNTING TYPE	VOLTAGE	FINISH	OPTIONS
WT5___	EXB			

APPROVED: \_\_\_\_\_

JOB NAME: \_\_\_\_\_

TYPE: \_\_\_\_\_

Insight Lighting reserves the right to change specifications without notice due to product improvements.

**INSIGHT**

Rio Rancho, NM 87144  
TEL: 505 345-0888  
www.insightlighting.com