

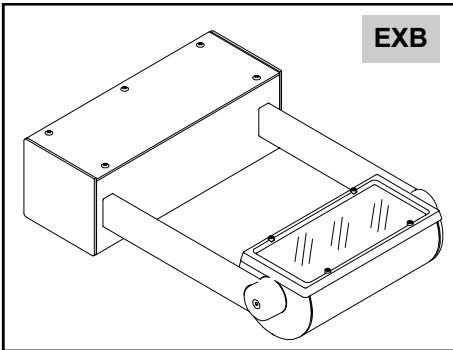
OUTDOOR
ARCHITECTURAL
LUMINAIRES



Extended Arm Mount
Integral Ballast

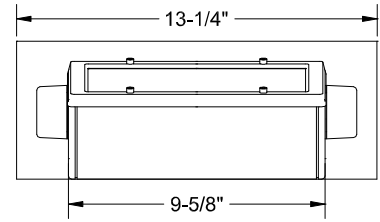
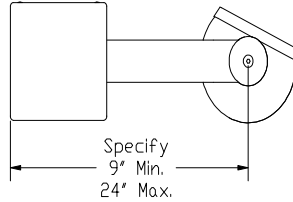
ARIDA WT500 SERIES

Ceramic Metal Halide

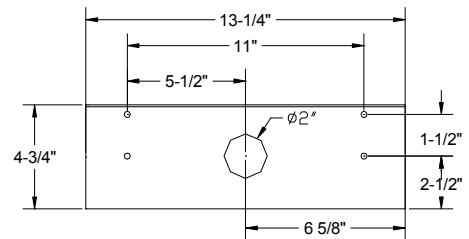


DIMENSIONS

Adjustable
180°



MOUNTING BRACKET



ORDERING

PREFIX	MOUNTING TYPE	VOLTAGE	FINISH	OPTIONS
Ceramic Metal Halide WT517 (1)-39W CMH (T6, G12) WT522 (1)-70W CMH (T6, G12) WT527 (1)-150W CMH (T6, G12)	ANSI# M130 M139 M142	EXB Extended Arm Mount Integral Ballast	HID. 1. 120V 2. 277V TW Textured White TBL Textured Black TBR Textured Bronze TN Textured Natural TS Textured Sandstone TV Textured Verdi SF Specify Finish (See Color Chart) CC Custom Color (Contact Factory)	VS Solid cutoff visor BF Internal baffle CVG Colored tempered glass filter in visor frame CVD Colored dichroic glass filter in visor frame LV External louvered visor
Consult Factory for Specific Lamp Requirements				
Ordering Example: WT 517 / EXB / 1 / TW / VS				

SPECIFICATIONS

Housing: Sealed, high grade extruded aluminum with die-cast aluminum end plates welded in place. Flush stainless steel socket cap bolts allow easy aiming adjustment on the extruded aluminum support arms of the ballast enclosure.

Lens: Single piece cast aluminum doorframe held in place by four stainless steel socket head screws. Lens is tempered micro-prismatic glass. Lens is sealed to housing with a single piece molded silicone gasket.

Reflector: Die-formed, 95% reflective, peened, specular, anodized aluminum that provides clean, even distribution with no streaks or striations.

Finish: All surfaces are pretreated in a phosphate wash, finished to 3 mil. thickness with TGIC powder paint with ultraviolet inhibitors.

Electrical: Integral electronic ballasts with a Class 'A' rating are standard and mounted within the ballast enclosure.

Labels: Luminaires are UL and CUL approved for Wet locations in all mounting positions. 150W CMH FIXTURES ARE EISA COMPLIANT.



PREFIX	MOUNTING TYPE	VOLTAGE	FINISH	OPTIONS
WT5_____	EXB			

APPROVED: _____

JOB NAME: _____

TYPE: _____

Insight Lighting reserves the right to change specifications without notice due to product improvements.

INSIGHT

Rio Rancho, NM 87144
TEL: 505 345-0888
www.insightlighting.com

WT500-EXB 06JUN09