

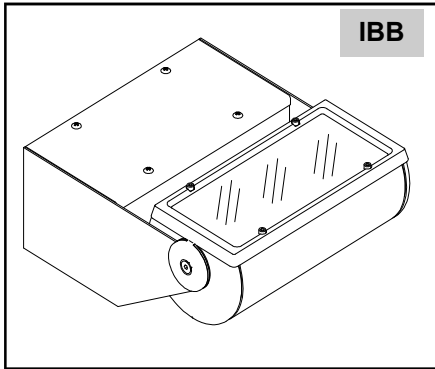
OUTDOOR
ARCHITECTURAL
LUMINAIRES



ARIDA WT500 SERIES

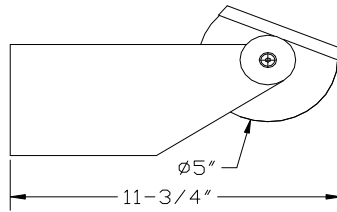
Wall Mount
Integral Ballast

Ceramic Metal Halide

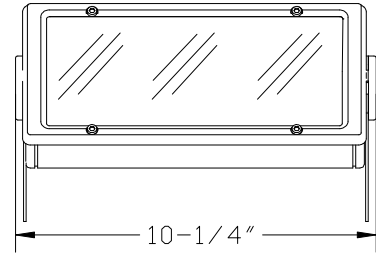


IBB

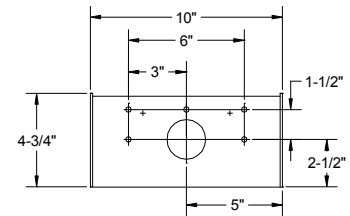
Adjustable 180°



DIMENSIONS



MOUNTING BRACKET



ORDERING

PREFIX	ANSI#	MOUNTING	VOLTAGE	FINISH	OPTIONS
Ceramic Metal Halide		IBB	HID.	TW Textured White	VS Solid cutoff visor
WT517 (1)-39W CMH (T6, G12)	M130	Wall	1. 120V	TBL Textured Black	BF Internal baffle
WT522 (1)-70W CMH (T6, G12)	M139	Bracket	2. 277V	TBR Textured Bronze	CVG Colored tempered glass filter in visor frame
WT527 (1)-150W CMH (T6, G12)	M142	Integral Ballast		TN Textured Natural	CVD Colored dichroic glass filter in visor frame
				TS Textured Sandstone	LV External louvered visor
				TV Textured Verdi	
				SF Specify Finish (See Color Chart)	
				CC Custom Color (Contact Factory)	
Consult Factory for Specific Lamp Requirements					
Ordering Example: WT 517 / IBB/ 1 / TW / VS					

SPECIFICATIONS

Housing: Sealed, high grade extruded aluminum with die-cast aluminum end plates welded in place. Flush stainless steel socket cap bolts allow easy aiming adjustment within the aluminum support of the arms ballast enclosure.

Lens: Single piece cast aluminum doorframe held in place by four stainless steel socket head screws. Lens is tempered micro-prismatic glass. Lens is sealed to housing with a single piece molded silicone gasket.

Reflector: Die-formed, 95% reflective, peened, specular, anodized aluminum that provides clean, even distribution with no streaks or striations.

Finish: All surfaces are pretreated in a phosphate wash, finished to 3 mil. thickness with TGIC powder paint with ultraviolet inhibitors.

Electrical: Integral Electronic ballasts with a Class 'A' sound rating are standard and mounted within the ballast enclosure.

Labels: Luminaires are UL and CUL approved for Wet locations in all mounting positions. 150W CMH FIXTURES ARE EISA COMPLIANT.



PREFIX	MOUNTING TYPE	VOLTAGE	FINISH	OPTIONS
WT5___	IBB			

APPROVED: _____

JOB NAME: _____

TYPE: _____

Insight Lighting reserves the right to change specifications without notice due to product improvements.

INSIGHT

Rio Rancho, NM 87144
TEL: 505 345-0888
www.insightlighting.com

WT500-IBB 06JUN09

