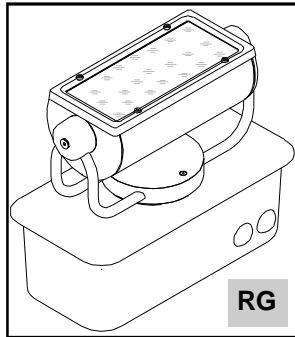
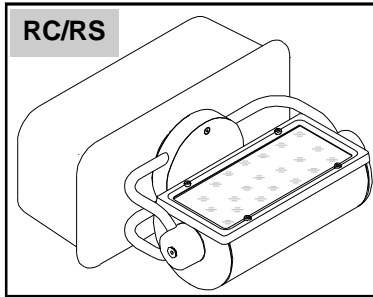


**OUTDOOR
ARCHITECTURAL
LUMINAIRES**

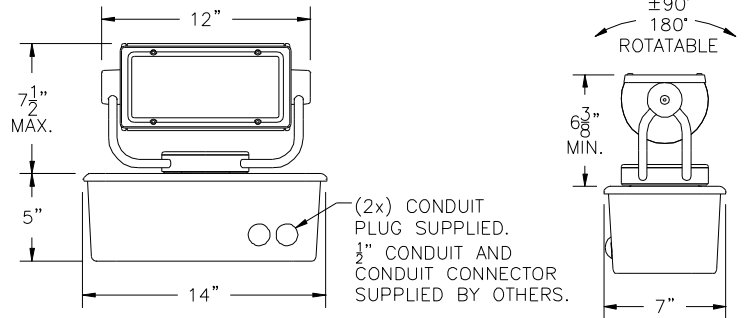
ARIDA WT500 SERIES

Recessed Ground / Wall Mount
Integral Ballast

Quartz Halogen / Ceramic Metal Halide /
Metal Halide / Compact Fluorescent



DIMENSIONS



RG = Ground Mount With Recessed Ballast Box
RC = Wall Mount with Recessed Ballast Box– Concrete Construction
RS = Wall Mount with Recessed Ballast Box– Stud/Joist Construction

ORDERING

PREFIX	MOUNTING TYPE	VOLTAGE	FINISH	OPTIONS
Compact Fluorescent * (120V & 277V only) WT572 (1)-F26W DTT (PLT, GX24q-4)	RG In-Ground	1. 120V	TW Textured White	WVS Solid cutoff visor
Quartz Halogen (100-350W Available in 120V) WT500 (1)-Q250 Max. (T4, Mini-Can) WT510 (1)-Q350 Max. (T3 RSC)	RC In-Wall/Ceiling Mount Concrete Construction	2. 277V 4. 240V	TBL Textured Black TBR Textured Bronze TN Textured Natural TS Textured Sandstone TV Textured Verdi	WBF Internal baffle WCVG Colored tempered glass filter in visor frame WCVD Colored dichroic glass filter in visor frame
Metal Halide WT523 (1)-100W MH (T6, G12)	RS In-Wall/Ceiling Mount Stud/Joist Construction	7. 347V	SF Specify Finish (See Color Chart)	WLV External louvered visor WLB Wet location remote ballast DLB Damp location remote ballast is standard.
Ceramic Metal Halide WT517 (1)-39W CMH (T6, G12) WT522 (1)-70W CMH (T6, G12) WT527 (1)-150W CMH (T6, G12)	All With Ballast Back Box		CC Custom Color (Contact Factory)	EB Electronic CMH ballast 120V and 277V only.

Ordering Example: WT 517 / RG / 1 / TW / WVS * Fluorescent only available in 120V, 277V, & 347V ** Contact Factory for Color Selection

SPECIFICATIONS

Housing: Sealed high grade extruded aluminum with die-cast aluminum end plates welded in place. Flush stainless steel socket cap bolts allow easy aiming adjustment.

Ballast Housing: Single Piece die-cast aluminum and powder painted to 3 mil thickness with a protective epoxy coating applied to in-ground section of the housing

Lens: Single piece cast aluminum doorframe held in place by four retained stainless steel socket head screws. Lens is tempered micro-prismatic glass. Lens is sealed to housing with a single piece molded rubber gasket.

Reflector: Die-formed, 95% reflective, peened, specular, anodized aluminum that provides clean, even distribution with no streaks or striations.

Finish: All surfaces are pretreated in a phosphate wash, finished to 3 mil. thick with TGIC powder paint with ultraviolet inhibitors.

Electrical: Integral Ceramic Metal Halide and Metal Halide core / coil, high power factor type ballasts are standard. They are mounted to a unitized tray within fixture ballast enclosure and supplied with electrical quick connects for ease of installation and maintenance.

Labels: Luminaires are UL and CUL approved for wet locations in all mounting positions.



PREFIX	MOUNTING TYPE	VOLTAGE	FINISH	OPTIONS
WT5___	RG/RC/RS_____			

APPROVED: _____

JOB NAME: _____

TYPE: _____

Insight Lighting reserves the right to change specifications without notice due to product improvements.

INSIGHT

Rio Rancho, NM 87144
TEL: 505 345-0888
www.insightlighting.com

WT500-RG/RC/RS 04-2008