

OUTDOOR
ARCHITECTURAL
LUMINAIRES

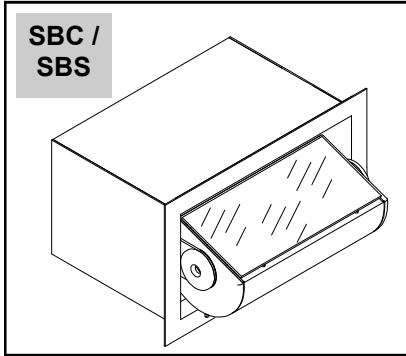


Semi-Recessed
Integral Ballast

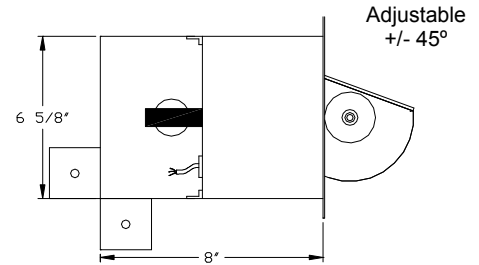
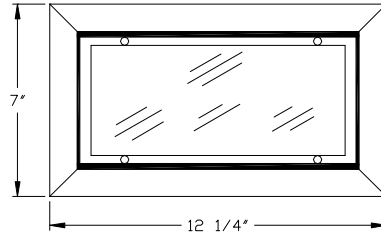
ARIDA WT500 SERIES

Quartz Halogen/ Ceramic Metal Halide
Compact Fluorescent

SBC /
SBS



DIMENSIONS



ORDERING

PREFIX	MOUNTING	VOLTAGE	FINISH	OPTIONS
Quartz Halogen WT500 (1)-Q250 Max. (T4, Mini-Can) WT510 (1)-Q350 Max. (T3 RSC)	SBC Recessed housing for concrete construction	QUARTZ 1. 120V HID./ FL. 1. 120V	TW Textured White TBL Textured Black TBR Textured Bronze TN Textured Natural TS Textured Sandstone TV Textured Verdi	VS Solid Cutoff Visor BF Internal Baffle CVG Colored tempered glass filter in visor frame CVD Colored dichroic glass filter in visor frame LV External Louvered Visor
Ceramic Metal Halide WT517 (1)-39W CMH (T6, G12) WT522 (1)-70W CMH (T6, G12) WT527 (1)-150W CMH (T6, G12)	ANSI# M130 M139 M142 SBS Recessed housing for stud/joist construction	2. 277V	SF Specify Finish (See Color Chart) CC Custom Color (Contact Factory)	
Compact Fluorescent WT572 (1)-F26W DTT (PLT, GX24q-4)	Integral Ballast			
Consult Factory for Specific Lamp Requirements				
Ordering Example: WT517 / SBC / 1 / TW / VS				

SPECIFICATIONS

Fixture Housing: Sealed, high grade extruded aluminum with die cast aluminum end plates welded in place. Flush stainless steel socket cap bolts allow easy aiming adjustment.

Recessed Housing: Is die-formed aluminum and provided with a cast J-box for through wiring. An integral weather tight ballast compartment is in the rear of this housing. An SBS back box is provided with a thermal protector and is suitable for Non IC installations.

Lens : Single piece cast aluminum doorframe held in place by four stainless steel socket head screws. Lens is tempered micro-prismatic glass. Lens is sealed to housing with a single piece molded silicone gasket.

Reflector: Die-formed, 95% reflective, peened, specular, anodized aluminum that provides clean, even distribution with no streaks or striations.

Finish: All surfaces are pretreated in a phosphate wash, finished to 3 mil. thick with TGIC powder paint with ultraviolet inhibitors.

Electrical: Integral electronic ballasts with a Class 'A' sound rating are standard and mounted within the ballast enclosure.

Labels: The Luminaire and back box assembly are UL and CUL approved for Wet Locations. 150W CMH FIXTURES ARE EISA COMPLIANT.



PREFIX	MOUNTING TYPE	VOLTAGE	FINISH	OPTIONS
WT5___	SB_____			

APPROVED: _____

JOB NAME: _____

TYPE: _____

Insight Lighting reserves the right to change specifications without notice due to product improvements.

INSIGHT

Rio Rancho, NM 87144
TEL: 505 345-0888
www.insightlighting.com

WT500-SBC-SBS 06JUN09