

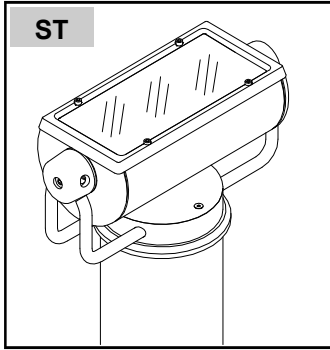
OUTDOOR
ARCHITECTURAL
LUMINAIRES



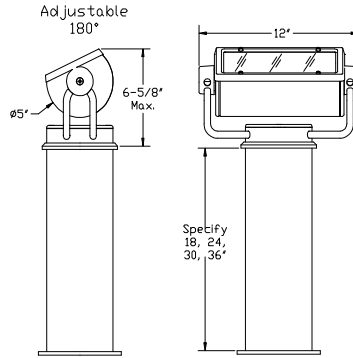
ARIDA WT500 SERIES

Stanchion Mount
Integral Electronic Ballast

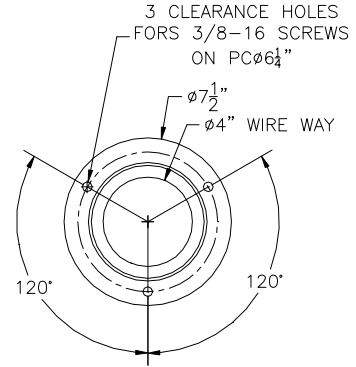
Quartz Halogen / Ceramic Metal Halide /
Compact Fluorescent



DIMENSIONS



BASE PLATE



ORDERING

PREFIX	MOUNTING	VOLTAGE	FINISH	OPTIONS
Quartz Halogen (120V only) WT500 (1)-Q250 Max. (T4, Mini-Can) WT510 (1)-Q350 Max. (T3, RSC)	ST Stanchion Mount () Specify length in inches	Quartz 1. 120V HID./ FL. 1. 120V 2. 277V	TW Textured White TBL Textured Black TBR Textured Bronze TN Textured Natural TS Textured Sandstone TV Textured Verdi SF Specify Finish (See Color Chart) CC Custom Color (Contact Factory)	VS Solid Cutoff Visor BF Internal Baffle CVG Colored tempered glass filter in visor frame CVD Colored dichroic glass filter in visor frame LV External Louvered Visor
Ceramic Metal Halide WT517 (1)-39W CMH (T6, G12) WT522 (1)-70W CMH (T6, G12) WT527 (1)-150W CMH (T6, G12)				
Compact Fluorescent WT572 (1)-F26W DTT (PLT, GX24q-4)	Integral Ballasts			
Consult Factory for Specific Lamp Requirements				
Ordering Example: WT517 / ST / 1 / TW / VS				

SPECIFICATIONS

Housing: Sealed high grade extruded aluminum with die-cast aluminum end plates welded in place. Flush stainless steel socket cap bolts allow easy aiming adjustment.

Stanchion Mount: Extruded 5" diameter aluminum top and base caps. The ballast is mounted to a unitized tray concealed within the stanchion. The stanchion base plate is convertible for either anchor bolt base or direct burial mounting.

Lens: Single piece cast aluminum doorframe held in place by four stainless steel socket head screws. Lens is tempered micro-prismatic glass. Lens is sealed to housing with a single piece molded silicone gasket.

Reflector: Die-formed, 95% reflective, peened, specular, anodized aluminum that provides clean, even distribution with no streaks or striations.

Finish: All surfaces are pretreated in a phosphate wash, finished to 3 mil. thickness with TGIC powder paint with ultraviolet inhibitors.

Electrical: Integral Electronic ballasts with a Class 'A' sound rating are standard and mounted within the ballast enclosure.

Labels: Luminaires are UL and CUL approved for Wet locations in all mounting positions. 150W CMH FIXTURES ARE EISA COMPLIANT.



PREFIX	MOUNTING TYPE	VOLTAGE	FINISH	OPTIONS
WT5___	ST_____			

APPROVED: _____

JOB NAME: _____

Insight Lighting reserves the right to change specifications without notice due to product improvements.

INSIGHT

Rio Rancho, NM 87144
TEL: 505 345-0888
www.insightlighting.com

WT500-ST 06JUN09