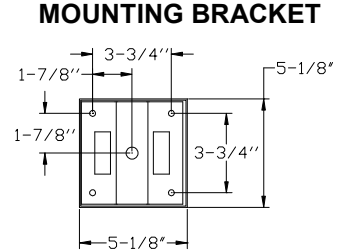
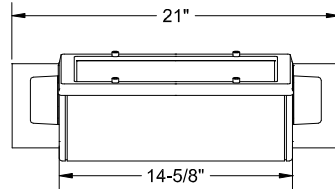
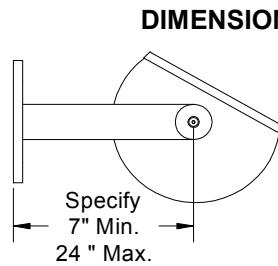
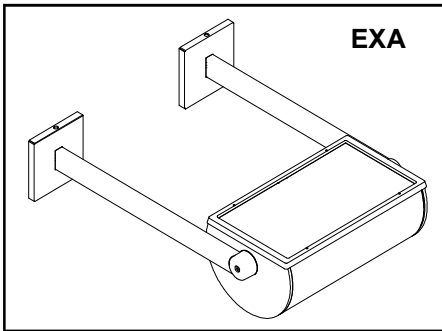


**OUTDOOR
ARCHITECTURAL
LUMINAIRES**

ARIDA WT900 SERIES

**Extended Arm Mount
Remote Ballast**

**Quartz Halogen / Compact Fluorescent
CMH / Pulse Start Metal Halide**



ORDERING

PREFIX	MOUNT-ING	VOLTAGE	FINISH	OPTIONS
Quartz Halogen WT910 (1) Q1000W (RSC, 10-1/16" MOL) (120 & 240V only)	EXA Extended Arm Mount () Specify length in inches	Quartz (1000W) 1. 120V 4. 240V	TW Textured White TBL Textured Black TBR Textured Bronze TN Textured Natural TS Textured Sandstone TLB Textured Light Bronze	VS Solid cutoff visor BF Internal baffle CVG Colored tempered glass filter in visor frame* CVD Colored dichroic glass filter in visor frame* LV External louvered visor QL Quartz Restrike (100W Max.) QEM Emergency Quartz Lamp Socket (100W Max.) LB Wet Location Remote Ballast
CMH WT971 (1) 210W (T9, PGZ18) WT973 (1) 315W (T9, PGZ18) (120-277V only)		ANSI# C183 C182	HID. 1. 120V 2. 277V 3. 208V 4. 240V 7. 347V	SF Specify Finish (Contact Factory) CC Custom Color (Contact Factory)
Pulse Start Metal Halide WT964 (1) 250W PSMH (ED28) WT965 (1) 320W PSMH (ED28) WT967 (1) 350W PSMH (ED28) WT968 (1) 400W PSMH (ED28)	M153 M154 M131 M155	FL. 1. 120V 2. 277V		
Compact Fluorescent WT972 (2) F32W TT (PLT, GX24q-4) WT974 (1) F42W TT (PLT, GX24q-4)	Fluorescent Ballasts are integral			
For lamp comparisons, see page two				
Ordering Example: WT964 / EXA-12"/ 1 / TW / VS				

SPECIFICATIONS

Housing: Sealed, high grade, extruded aluminum with die-cast aluminum end plates, secured by flush, stainless steel socket cap screws allowing for ease of adjustment. Ballast is on a unitized tray for easy installation and maintenance.

Lens: Single piece cast aluminum frame held in place by four retained stainless steel socket head screws. Lens is tempered, micro-prismatic glass. Lens is sealed to the housing with a single piece molded rubber gasket.

Reflector: Die-formed, 95% reflective, peened, specular, anodized aluminum that provides clean, even distribution with no streaks or striations.

Finish: All surfaces are pretreated in a phosphate wash, then finished to 3mil. thickness with TGIC powder coat containing ultraviolet inhibitors.

Electrical: Remote ballasts are mounted in NEMA 1 enclosures. Wet location ballasts are optional, mounted in NEMA 3R enclosures. 2101/315W remote distance is limited to 30 feet, 250-320/350/400W to 50 feet. 210W through 400W fixtures are EISA compliant.

Labels: Luminaires are UL/CUL approved for wet locations in all mounting positions.

Insight Lighting reserves the right to change specifications without notice due to product improvements.

PREFIX	MOUNTING TYPE	VOLTAGE	FINISH	OPTIONS
WT9___	EXA			

TYPE: _____

JOB NAME: _____

APPROVED: _____



INSIGHT

Rio Rancho, NM 87144
 TEL: 505-345-0888
 WWW.INSIGHTLIGHTING.COM



LAMP/BALLAST COMPARISON				
	Sylvania	Venture	GE	Philips
	400W Mogul Base	ED28, 400W Pulse Start	400W CMH/HPS	315W CMH
	Metal Halide	Metal Halide		
ANSI	M59	M155	M169/S51	C182
Init Lumens	32000	38000	41000	37800
Mean Lumens	20500	30000	31300	34700
Life	15000	20000	20000	20000
CRI	65	68	80	90
CCT	4000	4000	3000-3600	3000
Watts	460	452	443	341
Sound Rating	n/r	n/r	n/r	A
Remote	200'	50'	50'	30'
Eff%	86.9	88.5	90.3	92.4
EISA	No	Yes	Yes	Yes
Init Lum/Watt	69	84	92.6	110.9
			VAS- VCL 970, VVL 970	VAS- VCL 973, VVL 973
		ARIDA- WT968	ARIDA DWW- WT 970-DWW	ARIDA- WT 973
		TAOS- TS 968		ARIDA DWW- WT 973-DWW
		TIEMPO- TM 968		TAOS- TS973, 2973
		DECO- DX 968		TIEMPO- TM 973, 2973
				DECO- DX 973
ALL INFORMATION IS BASED ON MANUFACTURER'S INITIAL DATA AND IS SUBJECT TO CHANGE WITHOUT NOTICE				

INSIGHT

Rio Rancho, NM 87144
 TEL: 505 345-0888
 www.insightlighting.com



XXX-XX-X

DDMMYY