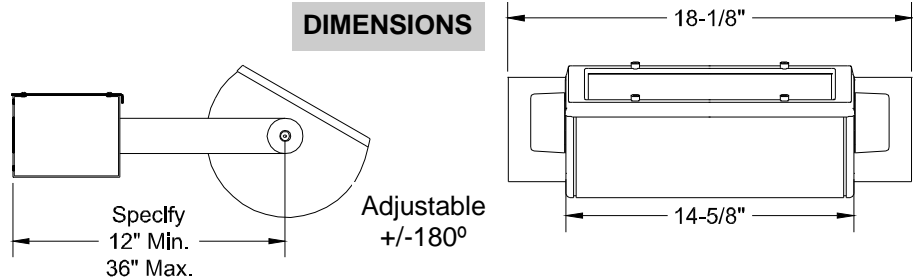
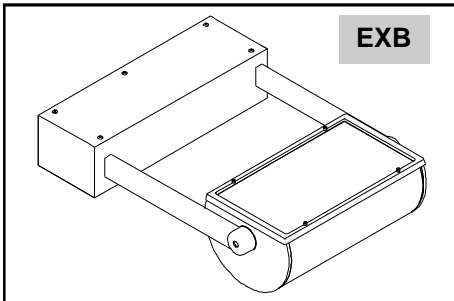


**OUTDOOR
ARCHITECTURAL
LUMINAIRES**

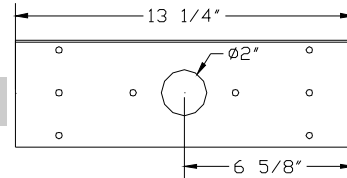
ARIDA WT900 SERIES

Wall Bracket
Integral Ballast

Quartz Halogen / Compact Fluorescent
Metal Halide/ High Pressure Sodium



MOUNTING BRACKET



ORDERING

PREFIX	MOUNTING TYPE	VOLTAGE	FINISH	OPTIONS
Quartz Halogen WT910 (1)-Q900W -Q1000W (RSC, 10-1/16" MOL) 900W Available in 240 & 277V; 1000W Available in 120 & 240V	EXB Extended Arm Mount	1. 120V 2. 277V 3. 208V	TW Textured White TBL Textured Black TBR Textured Bronze TN Textured Natural TS Textured Sandstone TV Textured Verdi	WVS Solid Cutoff Visor WBF Internal Baffle WCVG Colored tempered glass filter in visor frame** WCVD Colored dichroic glass filter in visor frame**
Metal Halide WT920 (1)-100W MH (E17, Med.) WT921 (1)-150/175W MH (E17, Med.) WT922 (1)-250W MH (T15, ET18, POMB) WT923 (1)-400W MH (T15, ET18, POMB)	Integral Ballast () Specify length in inches	4. 240V 7. 347V	SF Specify Finish (See Color Chart) CC Custom Color (Contact Factory)	WLV External Louvered Visor WQL Restrike Hot/Cold Type 100W Max WQEM Quartz Socket For Em. Circuit WLB Wet Location Remote Ballast PS Pulse Start adder (Specify Wattage, Consult Factory)
High Pressure Sodium WT931 (1)-150W HPS (E17, Med.) WT932 (1)-250W HPS (E18, POMB) WT933 (1)-400W HPS (E18, POMB)				
Compact Fluorescent* WT972 (2)-F32W TT (PLT, GX24q-4) WT974 (1)-F42W TT (PLT, GX24q-4)				

Ordering Example: WT 910 / EXB / 1 / TW / WVS * Fluorescent only available in 120V, 277V, & 347V ** Contact Factory for Color Selection

SPECIFICATIONS

Housing: Sealed, high grade extruded aluminum with die-cast aluminum end plates welded in place. Flush stainless steel socket cap bolts allow for easy aiming adjustment.

Lens: Single piece cast aluminum doorframe held in place by four retained stainless steel socket head screws. Lens is tempered micro-prismatic glass. Lens is sealed to housing with a single piece molded rubber gasket.

Reflector: Die-formed, 95% reflective, peened, specular, anodized aluminum that provides clean, even distribution with no streaks or striations.

Finish: All surfaces are pretreated in a phosphate wash, finished to 3 mil. thickness with TGIC powder paint with ultraviolet inhibitors.

Electrical: Integral High Pressure Sodium and Metal Halide core / coil, high power factor type ballasts are standard and are mounted within the fixtures ballast enclosures. Fluorescent ballasts are electronic, high power factor, less than 10% THD, thermally protected and integral to the fixture.

Labels: Luminaires are UL and CUL approved for Wet locations in all mounting positions.



PREFIX	MOUNTING TYPE	VOLTAGE	FINISH	OPTIONS
WT9___	EXB			

APPROVED: _____

JOB NAME: _____

TYPE: _____

Insight Lighting reserves the right to change specifications without notice due to product improvements.

INSIGHT

Rio Rancho, NM 87144
TEL: 505 345-0888
www.insightlighting.com