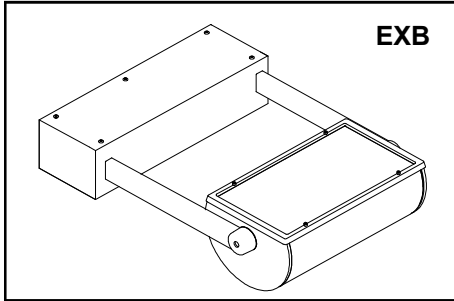


OUTDOOR
ARCHITECTURAL
LUMINAIRES

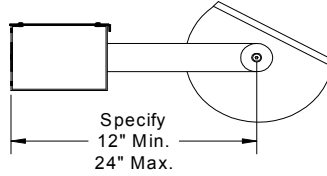
ARIDA WT900 SERIES

Extended Arm Wall Mount
Integral Ballast

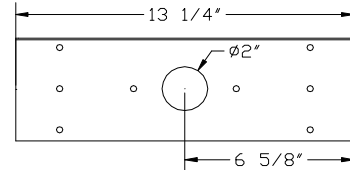
CMH / Pulse Start Metal Halide



DIMENSIONS



Adjustable
180°



MOUNTING BRACKET

ORDERING

PREFIX	ANSI#	MOUNTING	VOLTAGE	FINISH	OPTIONS
CMH		EXB	1. 120V	TW Textured White	VS Solid cutoff visor
WT971 (1) 210W (T9, PGZ18)	C183	Extended	2. 277V	TBL Textured Black	BF Internal baffle
WT973 (1) 315W (T9, PGZ18)	C182	Arm	3. 208V	TBR Textured Bronze	CVG Colored tempered glass filter in visor frame*
(208-277V only)		Mount	4. 240V	TN Textured Natural	CVD Colored dichroic glass filter in visor frame*
		()	7. 347V	TS Textured Sandstone	LV External louvered visor
Pulse Start Metal Halide		Specify length in inches		TLB Textured Light Bronze	QL Quartz Restrike (100W Max.)
WT964 (1) 250W PSMH (ED28)	M153			SF Specify Finish (Contact Factory)	QEM Emergency Quartz Lamp Socket (100W Max.)
WT965 (1) 320W PSMH (ED28)	M154			CC Custom Color (Contact Factory)	
WT967 (1) 350W PSMH (ED28)	M131				*Contact Factory For Color Selection
WT968 (1) 400W PSMH (ED28)	M155				

For lamp comparisons, see page two

Ordering Example: WT964 / EXB-18" / 1 / TW / VS

SPECIFICATIONS

Housing: Sealed, high grade extruded aluminum with die-cast aluminum end plates, secured by flush, stainless steel socket cap screws allowing for ease of adjustment.

Lens: Single piece cast aluminum frame held in place by four retained stainless steel socket head screws. Lens is tempered, micro-prismatic glass. Lens is sealed to the housing with a single piece molded rubber gasket.

Reflector: Die-formed, 95% reflective, peened, specular, anodized aluminum that provides clean, even distribution with no streaks or striations.

Ballast Enclosure: Sealed aluminum ballast box. Ballast is on a unitized tray for ease of installation and maintenance.

Finish: All surfaces are pretreated in a phosphate wash, finished to 3mil. thickness with TGIC powder coat containing ultraviolet inhibitors.

Electrical: Integral ballasts are standard and mounted within the ballast enclosure. 210W through 400W fixtures are EISA compliant.

Labels: Luminaires are UL/CUL approved for wet locations in all mounting positions.

Insight Lighting reserves the right to change specifications without notice due to product improvements.

PREFIX	MOUNTING TYPE	VOLTAGE	FINISH	OPTIONS
WT9___	EXB-___			

TYPE: _____
 JOB NAME: _____
 APPROVED: _____



INSIGHT

Rio Rancho, NM 87144
 TEL: 505-345-0888
 WWW.INSIGHTLIGHTING.COM



LAMP/BALLAST COMPARISON				
	Sylvania	Venture	GE	Philips
	400W Mogul Base	ED28, 400W Pulse Start	400W CMH/HPS	315W CMH
	Metal Halide	Metal Halide		
ANSI	M59	M155	M169/S51	C182
Init Lumens	32000	38000	41000	37800
Mean Lumens	20500	30000	31300	34700
Life	15000	20000	20000	20000
CRI	65	68	80	90
CCT	4000	4000	3000-3600	3000
Watts	460	452	443	341
Sound Rating	n/r	n/r	n/r	A
Remote	200'	50'	50'	30'
Eff%	86.9	88.5	90.3	92.4
EISA	No	Yes	Yes	Yes
Init Lum/Watt	69	84	92.6	110.9
			VAS- VCL 970, VVL 970	VAS- VCL 973, VVL 973
		ARIDA- WT968	ARIDA DWW- WT 970-DWW	ARIDA- WT 973
		TAOS- TS 968		ARIDA DWW- WT 973-DWW
		TIEMPO- TM 968		TAOS- TS973, 2973
		DECO- DX 968		TIEMPO- TM 973, 2973
				DECO- DX 973
ALL INFORMATION IS BASED ON MANUFACTURER'S INITIAL DATA AND IS SUBJECT TO CHANGE WITHOUT NOTICE				

INSIGHT

Rio Rancho, NM 87144
 TEL: 505 345-0888
 www.insightlighting.com



XXX-XX-X

DDMMYY