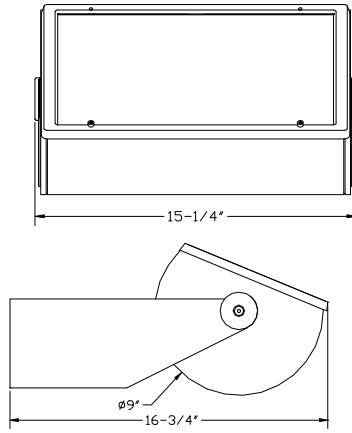
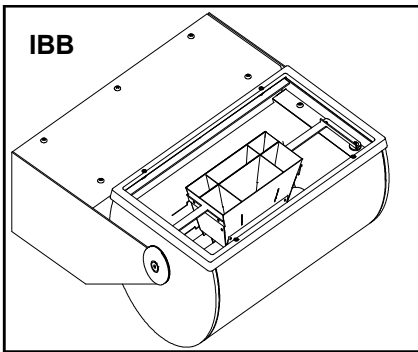


OUTDOOR  
ARCHITECTURAL  
LUMINAIRES

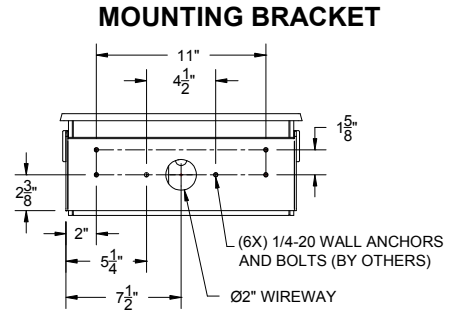
# ARIDA DWW SERIES

Wall/Ceiling Bracket  
Integral Ballast

Ceramic Metal Halide



## DIMENSIONS



Adjustable 90°

## ORDERING

PREFIX	MOUNTING	VOLTAGE	FINISH	OPTIONS
<b>CMH</b> <b>ANSI#</b>	<b>IBB</b> Wall Bracket	1. 120V	<b>TW</b> Textured White <b>TBL</b> Textured Black <b>TBR</b> Textured Bronze <b>TN</b> Textured Natural <b>TS</b> Textured Sandstone <b>TLB</b> Textured Light Bronze	<b>QL</b> Quartz Restrike (100W Max.) <b>QEM</b> Emergency Quartz Lamp Socket (100W Max.)
<b>WT925-DWW</b> (1)-100W (E17, Med.) <b>WT926-DWW</b> (1)-150W (E17, Med.)				
<b>WT969-DWW</b> (1)-250W (T15, Mog.) <b>WT970-DWW</b> (1)-400W (ED18, Mog.)	Integral Ballast	3. 208V 4. 240V	<b>SF</b> Specify Finish (Contact Factory) <b>CC</b> Custom Color (Contact Factory)	
<b>WT971-DWW</b> (1)-210W (T9, PGZ18) * <b>WT973-DWW</b> (1)-315W (T9, PGZ18) *				
*208 TO 277V only				
For lamp comparisons, see page two				

Ordering Example: WT969 / IBB / 1 / TW / QL

## SPECIFICATIONS

**Housing:** Sealed, high grade, extruded aluminum with die-cast aluminum end plates, secured by flush, stainless steel socket cap screws allowing for ease of adjustment. Ballast is on a unitized tray for easy installation and maintenance.

**Lens:** Single piece cast aluminum frame held in place by four retained stainless steel socket head screws. Lens is tempered, micro-prismatic glass. Lens is sealed to the housing with a single piece molded rubber gasket.

**Reflector:** CAD designed, die-formed, 95% reflective, peened, specular, anodized aluminum. A multi-sectional lower and louvered upper reflectors direct normally wasted light while achieving an exact rear cutoff.

**Finish:** All surfaces are pretreated in a phosphate wash, finished to 3mil. thickness with TGIC powder coat containing ultraviolet inhibitors.

**Electrical:** Integral ballast are standard and mounted within the ballast enclosure. 150W through 400W fixtures are EISA compliant.

**Labels:** Luminaires are UL/CUL approved for wet locations in all mounting positions.

**Insight Lighting reserves the right to change specifications without notice due to product improvements.**

PREFIX	MOUNTING TYPE	VOLTAGE	FINISH	OPTIONS
WT9_____	IBB			

TYPE: \_\_\_\_\_  
JOB NAME: \_\_\_\_\_  
APPROVED: \_\_\_\_\_



**INSIGHT**

Rio Rancho, NM 87144  
TEL: 505-345-0888  
WWW.INSIGHTLIGHTING.COM



<b>LAMP/BALLAST COMPARISON</b>				
	<b>Sylvania</b>	<b>Venture</b>	<b>GE</b>	<b>Philips</b>
	<b>400W Mogul Base</b>	<b>ED28, 400W Pulse Start</b>	<b>400W CMH/HPS</b>	<b>315W CMH</b>
	<b>Metal Halide</b>	<b>Metal Halide</b>		
<b>ANSI</b>	<b>M59</b>	<b>M155</b>	<b>M169/S51</b>	<b>C182</b>
<b>Init Lumens</b>	<b>32000</b>	<b>38000</b>	<b>41000</b>	<b>37800</b>
<b>Mean Lumens</b>	<b>20500</b>	<b>30000</b>	<b>31300</b>	<b>34700</b>
<b>Life</b>	<b>15000</b>	<b>20000</b>	<b>20000</b>	<b>20000</b>
<b>CRI</b>	<b>65</b>	<b>68</b>	<b>80</b>	<b>90</b>
<b>CCT</b>	<b>4000</b>	<b>4000</b>	<b>3000-3600</b>	<b>3000</b>
<b>Watts</b>	<b>460</b>	<b>452</b>	<b>443</b>	<b>341</b>
<b>Sound Rating</b>	<b>n/r</b>	<b>n/r</b>	<b>n/r</b>	<b>A</b>
<b>Remote</b>	<b>200'</b>	<b>50'</b>	<b>50'</b>	<b>30'</b>
<b>Eff%</b>	<b>86.9</b>	<b>88.5</b>	<b>90.3</b>	<b>92.4</b>
<b>EISA</b>	<b>No</b>	<b>Yes</b>	<b>Yes</b>	<b>Yes</b>
<b>Init Lum/Watt</b>	<b>69</b>	<b>84</b>	<b>92.6</b>	<b>110.9</b>
			<b>VAS- VCL 970, VVL 970</b>	<b>VAS- VCL 973, VVL 973</b>
		<b>ARIDA- WT968</b>	<b>ARIDA DWW- WT 970-DWW</b>	<b>ARIDA- WT 973</b>
		<b>TAOS- TS 968</b>		<b>ARIDA DWW- WT 973-DWW</b>
		<b>TIEMPO- TM 968</b>		<b>TAOS- TS973, 2973</b>
		<b>DECO- DX 968</b>		<b>TIEMPO- TM 973, 2973</b>
				<b>DECO- DX 973</b>
<b>ALL INFORMATION IS BASED ON MANUFACTURER'S INITIAL DATA AND IS SUBJECT TO CHANGE WITHOUT NOTICE</b>				

**INSIGHT**

Rio Rancho, NM 87144  
 TEL: 505 345-0888  
 www.insightlighting.com

