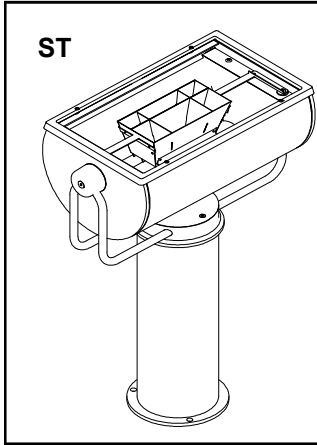


**OUTDOOR
ARCHITECTURAL
LUMINAIRES**

ARIDA DWW SERIES

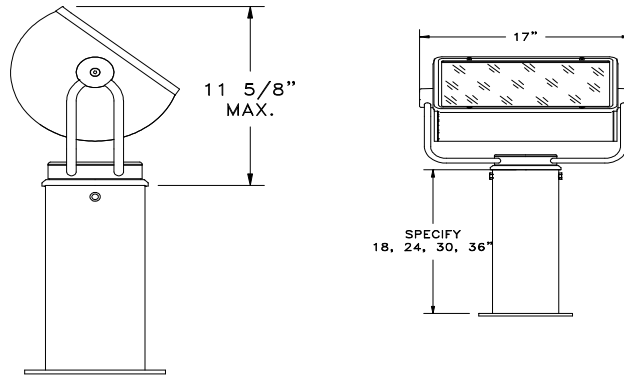
**Stanchion Mount
Integral Ballast**

Ceramic Metal Halide



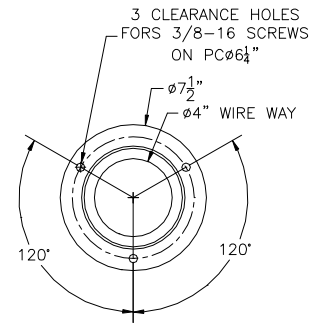
ST

DIMENSIONS



Adjustable 180°

BASE PLATE



ORDERING

PREFIX	MOUNTING	VOLTAGE	FINISH	OPTIONS
CMH ANSI# WT925-DWW (1)-100W (E17, Med.) M90 WT926-DWW (1)-150W (E17, Med.) M142 WT969-DWW (1)-250W (T15, Mog.) M168/S50 WT970-DWW (1)-400W (ED18, Mog.) M169/S51	ST Stanchion Mount () Specify length in inches Integral Ballast	1. 120V 2. 277V 3. 208V 4. 240V 7. 347V	TW Textured White TBL Textured Black TBR Textured Bronze TN Textured Natural TS Textured Sandstone TLB Textured Light Bronze SF Specify Finish (Contact Factory) CC Custom Color (Contact Factory)	QL Quartz Restrike (100W Max.) QEM Emergency Quartz Lamp Socket (100W Max.)
For lamp comparisons, see page two				
Ordering Example: WT926 / ST(24") / 1 / TW / CVD				

SPECIFICATIONS

SPECIFICATIONS

Housing: Sealed, high grade, extruded aluminum with die-cast aluminum end plates, secured by flush, stainless steel socket cap screws that allow for ease of adjustment.

Stanchion Mount: Extruded 5" diameter aluminum with a cast aluminum top cap. The ballast is mounted to a unitized ballast tray and is concealed within the stanchion. Stanchion base plate is convertible for both anchor base and direct burial mounting.

Lens: Single piece cast aluminum frame held in place by four retained stainless steel socket head screws. Lens is tempered, micro-prismatic glass. Lens is sealed to the housing with a single piece molded rubber gasket.

Reflector: CAD designed, die-formed, 95% reflective, peened, specular and clear anodized aluminum. A multi-sectional lower and louvered upper reflectors direct normally wasted light while achieving an exact rear cutoff.

Finish: All surfaces are pretreated in a phosphate wash, finished to 3mil. thickness with TGIC powder coat containing ultraviolet inhibitors.

Electrical: Integral ballast are standard and mounted within the ballast enclosure. 150W through 400W fixtures are EISA compliant.

Labels: Luminaires are UL/CUL approved for wet locations in all mounting positions.

Insight Lighting reserves the right to change specifications without notice due to product improvements.

PREFIX	MOUNTING TYPE	VOLTAGE	FINISH	OPTIONS
WT9_____	ST(____)			

TYPE: _____
 JOB NAME: _____
 APPROVED: _____



INSIGHT

Rio Rancho, NM 87144
 TEL: 505-345-0888

WWW.INSIGHTLIGHTING.COM



LAMP/BALLAST COMPARISON				
	Sylvania	Venture	GE	Philips
	400W Mogul Base	ED28, 400W Pulse Start	400W CMH/HPS	315W CMH
	Metal Halide	Metal Halide		
ANSI	M59	M155	M169/S51	C182
Init Lumens	32000	38000	41000	37800
Mean Lumens	20500	30000	31300	34700
Life	15000	20000	20000	20000
CRI	65	68	80	90
CCT	4000	4000	3000-3600	3000
Watts	460	452	443	341
Sound Rating	n/r	n/r	n/r	A
Remote	200'	50'	50'	30'
Eff%	86.9	88.5	90.3	92.4
EISA	No	Yes	Yes	Yes
Init Lum/Watt	69	84	92.6	110.9
			VAS- VCL 970, VVL 970	VAS- VCL 973, VVL 973
		ARIDA- WT968	ARIDA DWW- WT 970-DWW	ARIDA- WT 973
		TAOS- TS 968		ARIDA DWW- WT 973-DWW
		TIEMPO- TM 968		TAOS- TS973, 2973
		DECO- DX 968		TIEMPO- TM 973, 2973
				DECO- DX 973
ALL INFORMATION IS BASED ON MANUFACTURER'S INITIAL DATA AND IS SUBJECT TO CHANGE WITHOUT NOTICE				

INSIGHT

Rio Rancho, NM 87144
 TEL: 505 345-0888
 www.insightlighting.com

