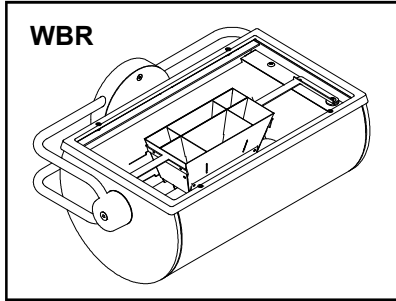


**OUTDOOR
ARCHITECTURAL
LUMINAIRES**

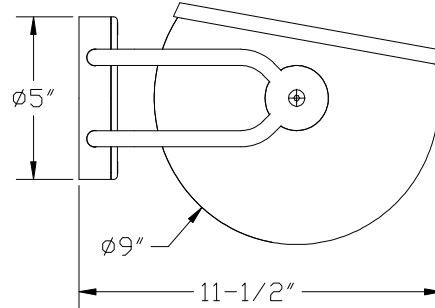
ARIDA DWW SERIES

**Wall Bracket
Remote Ballast**

Ceramic Metal Halide

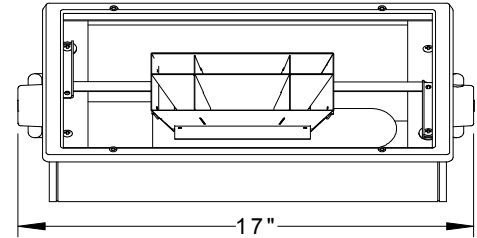


DIMENSIONS



Adjustable 90°

MOUNTING BRACKET



ORDERING

PREFIX	MOUNTING	VOLTAGE	FINISH	OPTIONS
<p>CMH ANSI#</p> <p>WT925-DWW (1)-100W (E17, Med.) M90</p> <p>WT926-DWW (1)-150W (E17, Med.) M142</p> <p>WT969-DWW (1)-250W (T15, Mog.) M168/S50</p> <p>WT970-DWW (1)-400W (ED18, Mog.) M169/S51</p> <p>WT971-DWW (1)-210W (T9, PGZ18)* C183</p> <p>WT973-DWW (1)-315W (T9, PGZ18)* C182</p> <p>*208 through 277V only</p> <p>For lamp comparisons, see page two</p>	<p>WBR</p> <p>Wall Bracket</p> <p>Remote Ballast</p>	<p>1. 120V</p> <p>2. 277V</p> <p>3. 208V</p> <p>4. 240V</p> <p>7. 347V</p>	<p>TW Textured White</p> <p>TBL Textured Black</p> <p>TBR Textured Bronze</p> <p>TN Textured Natural</p> <p>TS Textured Sandstone</p> <p>TLB Textured Light Bronze</p> <p>SF Specify Finish (Contact Factory)</p> <p>CC Custom Color (Contact Factory)</p>	<p>QL Quartz Restrike (100W Max.)</p> <p>QEM Emergency Quartz Lamp Socket (100W Max.)</p> <p>LB Wet Location Remote Ballast</p>
Ordering Example: WT925 / WBR / 1 / TW / CVG				

SPECIFICATIONS

Housing: Sealed, high grade, extruded aluminum with die-cast aluminum end plates, secured by flush, stainless steel socket cap screws that allow for ease of adjustment.

Lens: Single piece cast aluminum frame held in place by four retained stainless steel socket head screws. Lens is tempered, micro-prismatic glass. Lens is sealed to the housing with a single piece molded rubber gasket.

Reflector: CAD designed, die-formed, 95% reflective, peened, specular, anodized aluminum. A multi-sectional lower and louvered upper reflectors direct normally wasted light while achieving an exact rear cutoff.

Finish: All surfaces are pretreated in a phosphate wash, finished to 3mil. thickness with TGIC powder coat containing ultraviolet inhibitors.

Electrical: Remote ballasts are standard for damp locations, mounted in NEMA 1 enclosure. Wet location ballasts are optional, mounted in NEMA 3R enclosures. 100/150W remote distance is limited to 25 feet, 210/315W to 30 feet, 250/400W to 50 feet. 150W through 400W fixtures are EISA compliant.

Labels: Luminaires are UL/CUL approved for wet locations in all mounting positions.

Insight Lighting reserves the right to change specifications without notice due to product improvements.

PREFIX	MOUNTING TYPE	VOLTAGE	FINISH	OPTIONS
WT9_____	WBR			

TYPE: _____

JOB NAME: _____

APPROVED: _____



INSIGHT

Rio Rancho, NM 87144
TEL: 505-345-0888
WWW.INSIGHTLIGHTING.COM



LAMP/BALLAST COMPARISON				
	Sylvania	Venture	GE	Philips
	400W Mogul Base	ED28, 400W Pulse Start	400W CMH/HPS	315W CMH
	Metal Halide	Metal Halide		
ANSI	M59	M155	M169/S51	C182
Init Lumens	32000	38000	41000	37800
Mean Lumens	20500	30000	31300	34700
Life	15000	20000	20000	20000
CRI	65	68	80	90
CCT	4000	4000	3000-3600	3000
Watts	460	452	443	341
Sound Rating	n/r	n/r	n/r	A
Remote	200'	50'	50'	30'
Eff%	86.9	88.5	90.3	92.4
EISA	No	Yes	Yes	Yes
Init Lum/Watt	69	84	92.6	110.9
			VAS- VCL 970, VVL 970	VAS- VCL 973, VVL 973
		ARIDA- WT968	ARIDA DWW- WT 970-DWW	ARIDA- WT 973
		TAOS- TS 968		ARIDA DWW- WT 973-DWW
		TIEMPO- TM 968		TAOS- TS973, 2973
		DECO- DX 968		TIEMPO- TM 973, 2973
				DECO- DX 973
ALL INFORMATION IS BASED ON MANUFACTURER'S INITIAL DATA AND IS SUBJECT TO CHANGE WITHOUT NOTICE				

INSIGHT

Rio Rancho, NM 87144
 TEL: 505 345-0888
 www.insightlighting.com

