

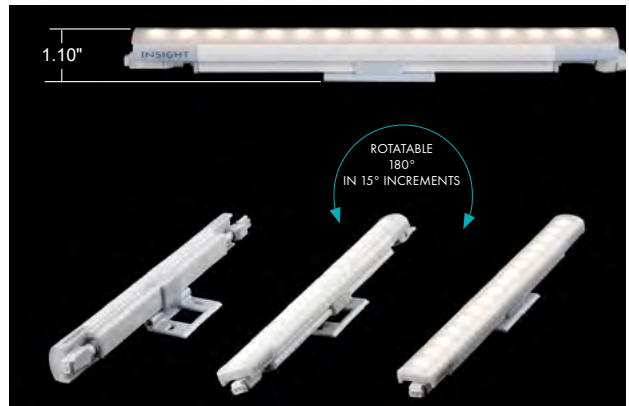
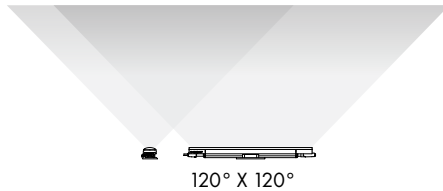
PROJECT:	FIXTURE TYPE:	CATALOG #:
----------	---------------	------------

LINE VOLTAGE LED, INTERIOR COVE LIGHTING

- Line voltage 120V
- Triac dimming is standard
- Choice of color temperatures
- Frosted lens option

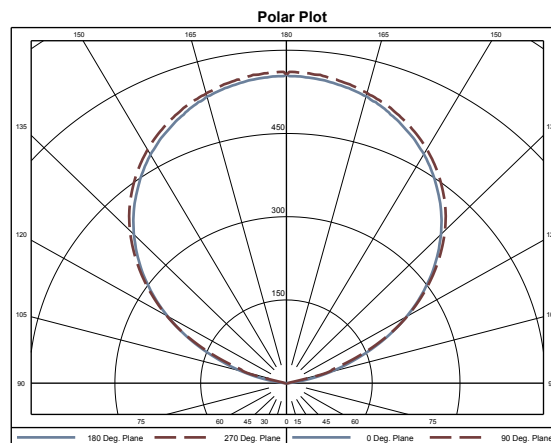


2700K 3000K 3500K 4000K



OUTPUT	OPTICS	120° X 120°																																									
	COLOR TEMPERATURES	2700K, 3000K, 3500K, 4000K																																									
	CRI	90+																																									
	LUMENS & EFFICACY (LM/W)	<table border="1"> <tr> <th colspan="7">4' - WHITE LIGHT, 82CRI, CLEAR LENS</th> </tr> <tr> <td>WATTAGE</td> <td>CCT</td> <td>OPTICS</td> <td>LUMENS</td> <td>EFFICACY</td> <td colspan="2">MAXIMUM CANDELA</td> </tr> <tr> <td>4 W/ft</td> <td>3500K</td> <td>120°</td> <td>1548</td> <td>101.3 lm/w</td> <td colspan="2">561</td> </tr> <tr> <th colspan="7">4' - WHITE LIGHT, 82CRI, FROSTED LENS</th> </tr> <tr> <td>WATTAGE</td> <td>CCT</td> <td>OPTICS</td> <td>LUMENS</td> <td>EFFICACY</td> <td colspan="2">MAXIMUM CANDELA</td> </tr> <tr> <td>4 W/ft</td> <td>3500K</td> <td>120°</td> <td>1102</td> <td>77 lm/w</td> <td colspan="2">347</td> </tr> </table>	4' - WHITE LIGHT, 82CRI, CLEAR LENS							WATTAGE	CCT	OPTICS	LUMENS	EFFICACY	MAXIMUM CANDELA		4 W/ft	3500K	120°	1548	101.3 lm/w	561		4' - WHITE LIGHT, 82CRI, FROSTED LENS							WATTAGE	CCT	OPTICS	LUMENS	EFFICACY	MAXIMUM CANDELA		4 W/ft	3500K	120°	1102	77 lm/w	347
4' - WHITE LIGHT, 82CRI, CLEAR LENS																																											
WATTAGE	CCT	OPTICS	LUMENS	EFFICACY	MAXIMUM CANDELA																																						
4 W/ft	3500K	120°	1548	101.3 lm/w	561																																						
4' - WHITE LIGHT, 82CRI, FROSTED LENS																																											
WATTAGE	CCT	OPTICS	LUMENS	EFFICACY	MAXIMUM CANDELA																																						
4 W/ft	3500K	120°	1102	77 lm/w	347																																						
ELECTRICAL	LUMEN MAINTENANCE	75,000 hrs L70																																									
	INPUT VOLTAGE TOTAL POWER CONSUMPTION	120V Line Voltage 4 W/ft																																									
CONTROL	DIMMING	Standard: Flicker free Triac dim to 10% ELV Reverse Phase, Trailing Edge * Controls equipment may have impact on low level dimming.																																									
PHYSICAL	DIMENSIONS (WIDTH X HEIGHT) WEIGHT	With Curved Lens @ 0° rotation: 1.6" W x 1.10 H, 12" / 48" fixture lengths 12" FIXTURE: .35 lbs (0.15 kg) 48" FIXTURE: 1.4 lbs (0.64 kg)																																									
	HOUSING	White ABS extruded housing and molded end-caps with polycarbonate lens * Finish is subject to change without notice.																																									
	LENS	Standard = Curved Clear Lens Optional : Curved Frosted Lens																																									
	OPERATING TEMPERATURES	-25° C to 40° C																																									
CERTIFICATION		ETL Listed for Damp/Dry Location																																									
WARRANTY	5 Year Limited																																										

All PILOT™ products are tested to IES LM-79 standards



PROJECT:	FIXTURE TYPE:	CATALOG #:
----------	---------------	------------

ORDERING INFORMATION

PAC /	4 /	120° /	SM /	120 /	TRI /	WH /			
PREFIX	WATTAGE W / FT	CCT	OPTICS	MOUNTING	FIXTURE LENGTH	VOLTAGE	CONTROL OPTIONS	FINISH	OPTIONS
PAC PILOT AC SERIES	4	27K = 2700K 30K = 3000K 35K = 3500K 40K = 4000K	120°	SM = Surface	12" 48"	120 = 120V	TRI = Triac Dimming, 120V only Trailing Edge, Reverse Phase 10%-100%	WH = White	FL = Frosted Lens

NOTES

					A Leader Cable is required with each fixture run for connection from j-box to the first fixture. See below.			Finish is subject to change without notice.	
--	--	--	--	--	---	--	--	---	--

LEADER CABLES

A Leader Cable is required with each fixture run for connection from j-box to the first fixture.

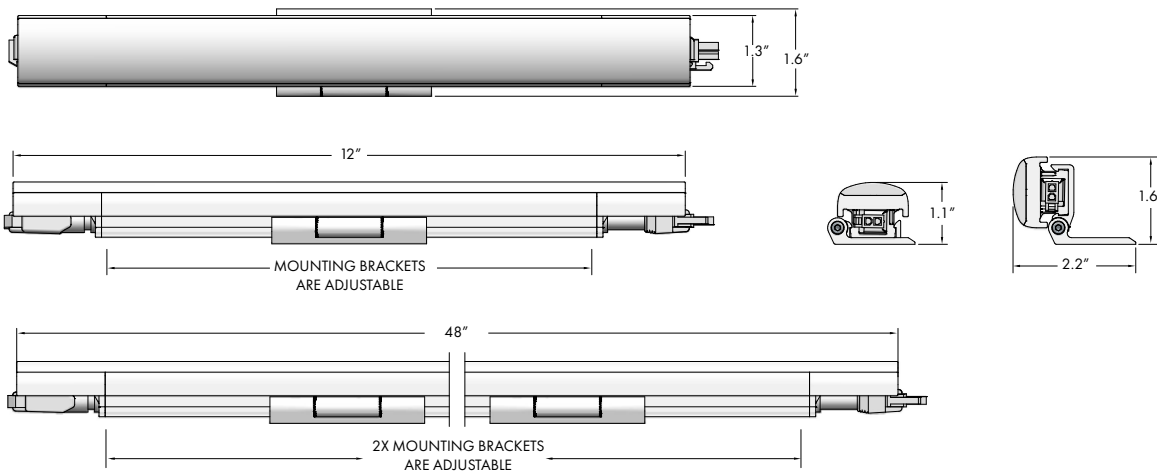
PACL-10	10' WHITE LEADER CABLE - Used for connection to the start of each run. (End of line terminator provided with each leader cable.)
---------	--

JUMPER CABLES

PLUG AND PLAY INSTALLATION allows for end-to-end fixture connection without additional AC jumpers. If fixtures are not mounted in an end-to-end continuous manner, AC jumpers are required.

PACJ-6"	6" WHITE JUMPER CABLE
PACJ-1'	1' WHITE JUMPER CABLE
PACJ-5'	5' WHITE JUMPER CABLE

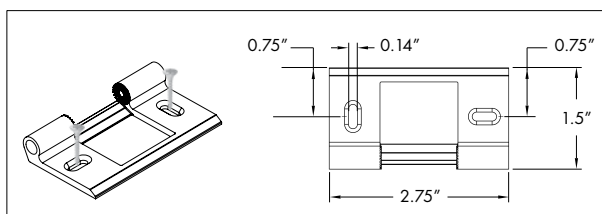
DIMENSIONS



MOUNTING BRACKET DETAIL

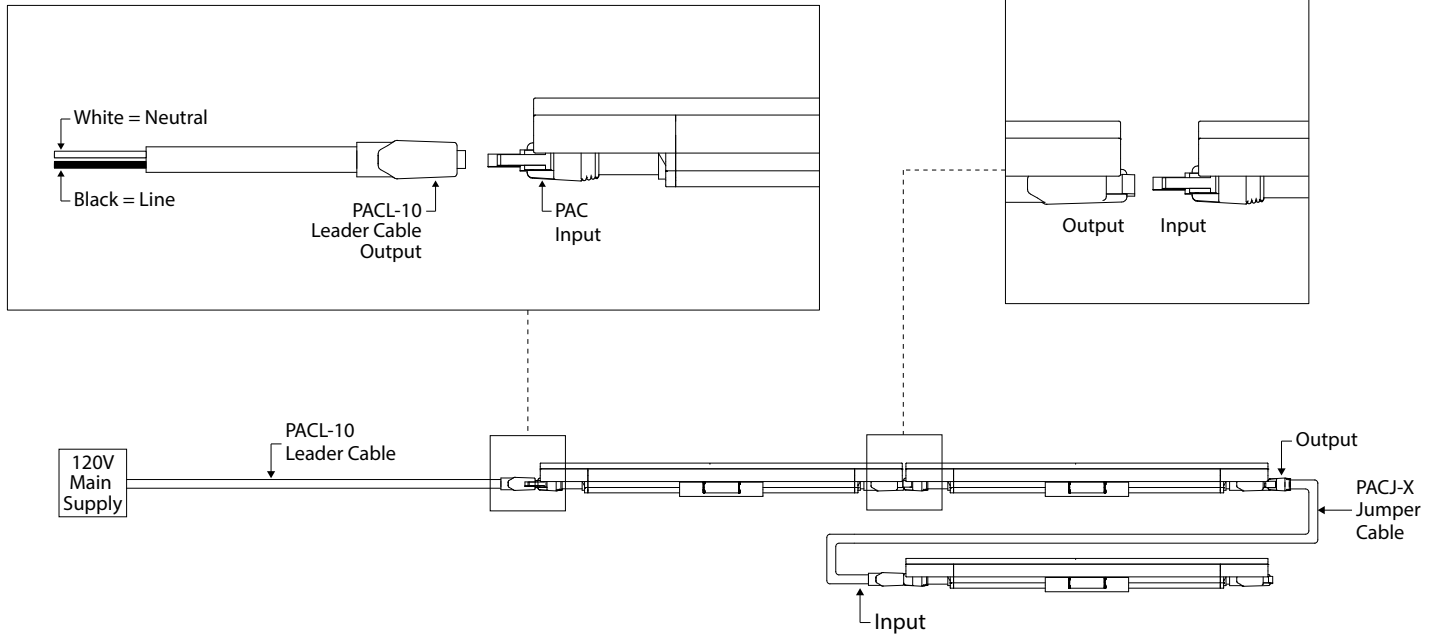
Mount PAC fixture to surface using the 2 screw holes on the bracket (screws by others)

12" fixture is supplied with 1 bracket
48" fixtures is supplied with 2 brackets



PROJECT:	FIXTURE TYPE:	CATALOG #:
----------	---------------	------------

WIRING DIAGRAM EXAMPLE



MAXIMUM RUN LENGTHS	
Wattage	120VAC
4W	100 feet

