

CDS-A
ENCLOSURE



CDS-A-WET
ENCLOSURE



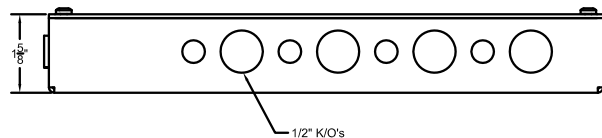
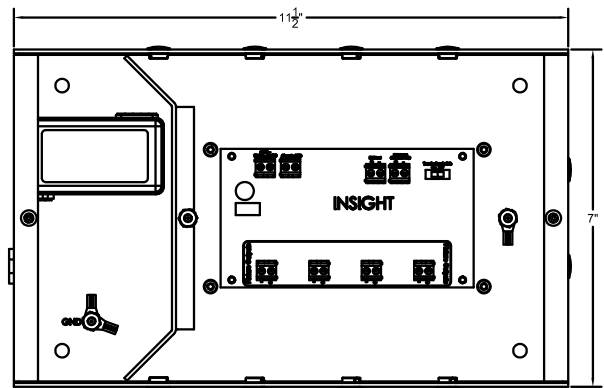
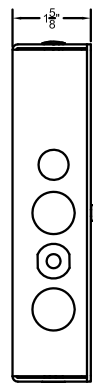
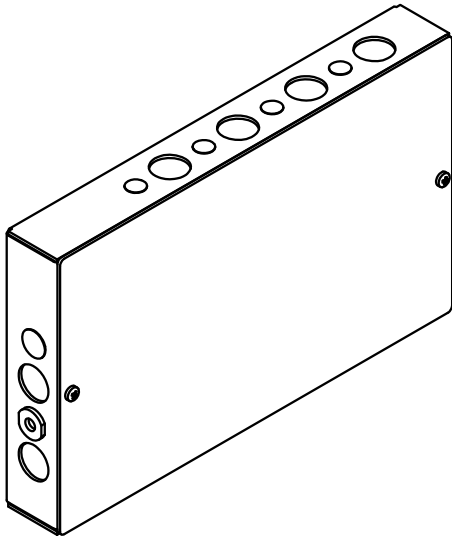
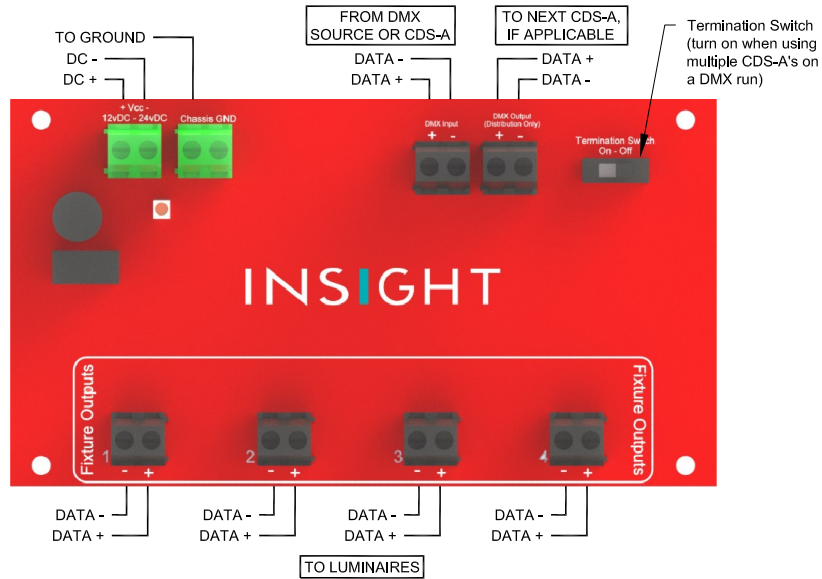
DMX DISTRIBUTION KIT - REQUIRED FOR ALL COLOR CHANGING AND ACTIVE WHITE LIGHT INSTALLATIONS	
CATALOG NUMBER	DESCRIPTION
CDS-A	DMX DISTRIBUTION KIT ONLY (4 OUTPUTS) - DRY LOCATION CDS-A consists of four outputs. Each output accommodates up to 32 fixtures in INT/REM wiring methods and unlimited fixtures in ACV wiring method. Four terminators are included for use as required.
CDS-A-WET	DMX DISTRIBUTION KIT ONLY (4 OUTPUTS) - WET LOCATION CDS-A consists of four outputs. Each output accommodates up to 32 fixtures in INT/REM wiring methods and unlimited fixtures in ACV wiring method. Four terminators are included for use as required.

INSTALLATION GUIDELINES		
REQUIRED FOR ALL COLOR CHANGING & ACTIVE WHITE INSTALLATIONS		
CATALOG #	DESCRIPTION	WIRING METHOD LIMITATIONS
CDS-A CDS-A-WET	CONSISTS OF 4 OUTPUTS INSTALL A CDS-A NEXT TO A RUN OF FIXTURES. CDS-A HAS 4 OUTPUTS AND CAN CONTROL 4 RUNS OF FIXTURES.	INT/REM EACH OUTPUT LABELED CAN CONTROL UP TO 32 FIXTURES. 4 OUTPUTS ACV UP ONE UNIVERSE OF CONTROL PER CDS.
CONTACT FACTORY FOR ADDITIONAL DMX SPLITTER CONFIGURATIONS		

SPECIFICATIONS	
<p>OPERATING TEMPERATURE: -20°C to 50°C, up to 5W of heat produced, air space or metalchassis required for cooling</p> <p>DATA/DMX WIRING: Belden 9729 must be used.</p> <p>ROHS COMPLIANCY: All materials and processes used are RoHS compliant</p>	<p>ENCLOSURE SPECIFICATIONS:</p> <p>CDS-A ENCLOSURE: Constructed of 14 gauge aluminum sheet metal, CONTRA comes with pre-drilled mounting holes and a removable cover plate for easy wiring access.</p> <p>FINISH: All enclosure surfaces are pre-treated and powder coat painted textured black to a 3 mil thickness.</p> <p>CDS-A-WET ENCLOSURE: NEMA 4 non-metallic</p>

- * 4 OUTPUTS PER CDS-A.
- * 32 LUMINAIRES MAX PER OUTPUT.
- * 800' MAX. TOTAL CABLE LENGTH PER OUTPUT.

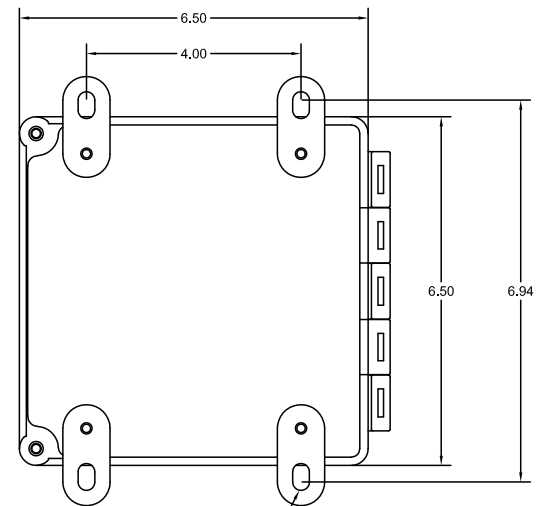
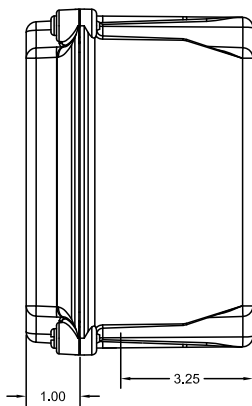
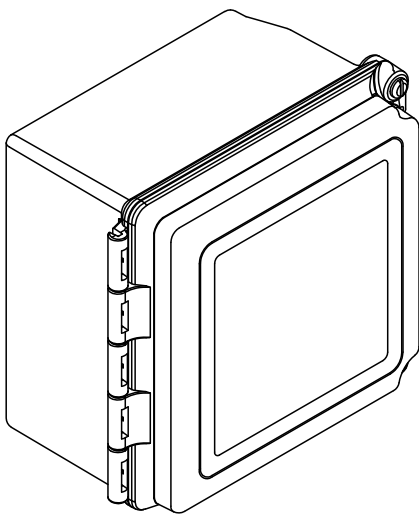
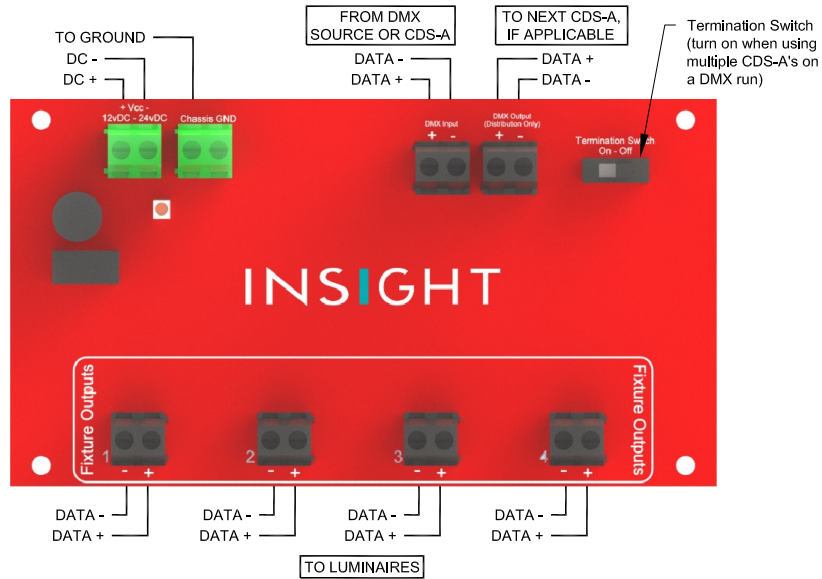
EXPECTED DMX TERMINATION READINGS
100-150 Ohms



CDS-A DIMENSIONS

- * 4 OUTPUTS PER CDS-A.
- * 32 LUMINAIRES MAX PER OUTPUT.
- * 800' MAX. TOTAL CABLE LENGTH PER OUTPUT.

EXPECTED DMX TERMINATION READINGS
100-150 Ohms



.31 x .50 slot for 1/4" mounting fasteners (by others)