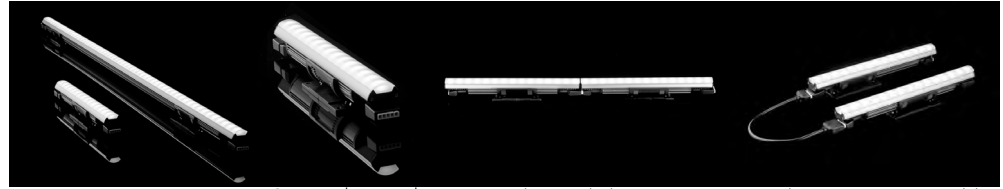


PROJECT:	FIXTURE TYPE:	CATALOG #:
----------	---------------	------------

LINE VOLTAGE LED, INTERIOR COVE LIGHTING

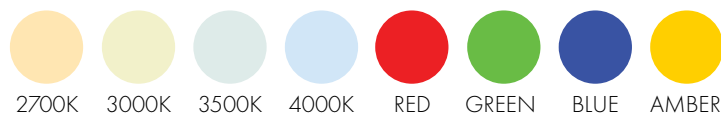
- Ideal for grazing, floodlighting or wall washing
- Integral power (line voltage 110V – 277V)
- Frosted lens option



12" & 48" Modules Optional Frosted Lens Plug and Play Optional 1' & 5' Jumper Cables

PILOT PCM					
OUTPUT	OPTICS	<p>120°</p>			
	COLOR TEMPERATURES	2700K, 3000K, 3500K, 4000K, Static Red, Green, Blue, Amber			
	CRI	Standard: 90+			
	LUMENS & EFFICACY (LM/W)	4' - WHITE LIGHT (4000K, 82CRI)			
	3.5W IS ASHRAE COMPLIANT AND IS SUITABLE FOR TITLE 24	WATTAGE	OPTICS	LUMENS	EFFICACY
LUMEN MAINTENANCE	75,000 hrs L70				
ELECTRICAL	INPUT VOLTAGE	Universal Line Voltage 110V - 277V			
	TOTAL POWER CONSUMPTION	FIXTURE WATTAGE	TOTAL POWER CONSUMPTION		
CONTROL	DIMMING	Standard: Flicker free dimmable to 3%. 0-10V dimming is standard (Sink). *			
		* Controls equipment may have impact on low level dimming.			
PHYSICAL	DIMENSIONS (HEIGHT X WIDTH)	With Curved Lens @ 0° rotation: 1-7/8" X 1-2/5" X 12" or 48"			
	HOUSING	Aluminum extrusion with molded end caps, anodized Metallic Gray finish *. *Finish is subject to change without notice.			
	LENS	Standard: Curved Clear Lens Optional: Curved Frosted Lens			
	OPERATING TEMPERATURES	-25° C to 40° C			
CERTIFICATION		ETL Listed for Damp/Dry Location			
WARRANTY	5 Year Limited				

All PILOT™ products are tested to IES LM-79 standards



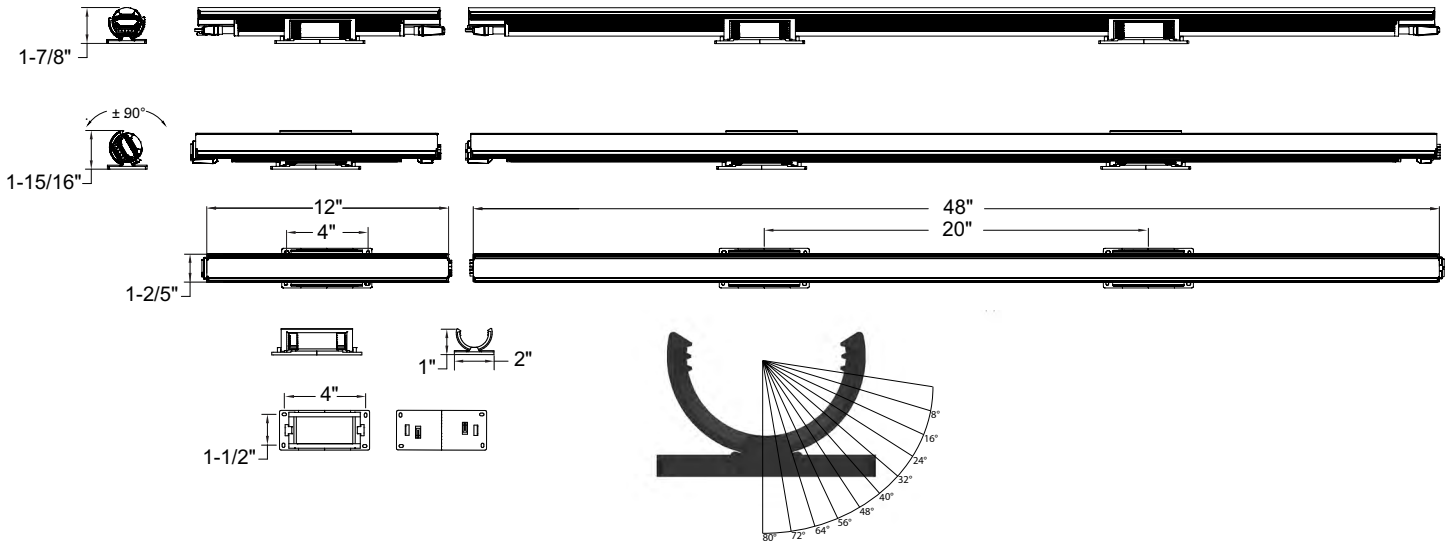
3.5 W/FT	5 W/FT	7 W/FT	10 W/FT	13 W/FT	0-10V Dimming
-------------	-----------	-----------	------------	------------	------------------

PROJECT:			FIXTURE TYPE:			CATALOG #:			
ORDERING INFORMATION									
PCM /		120° /		SM /	UNV /		DIM /	MG /	
PREFIX	WATTAGE W / FT	CCT	OPTICS	MOUNTING	FIXTURE LENGTH	VOLTAGE	CONTROL OPTIONS	FINISH	ACCESSORIES
PCM PILOT PCM SERIES	3.5 5 7 10 13	27K = 2700K 30K = 3000K 35K = 3500K 40K = 4000K R = Static Red G = Static Green B = Static Blue A = Static Amber	120°	SM = Surface	12" 48"	UNV = 110-277VAC	DIM = 0-10V Dimming is standard, 110V - 277VAC ¹	MG = Metallic Gray Finish is subject to change without notice	FL = Frosted Lens
3.5W is ASHRAE Compliant and suitable for Title 24					An AC Leader Cable is required with each fixture run for connection from first fixture to the j-box. See below.		1 Dimming Control System supplied by others. Contact factory for TRIAC Dimming.	Finish is subject to change without notice	

LEADER CABLES	
An AC Leader Cable is required with each fixture run for connection from first fixture to the j-box.	
PCML-10/0-10V	10' BLACK LEADER CABLE - Used for connection to the start of each 0-10V run. (End of line terminator provided with each leader cable.)
JUMPER CABLES	
PLUG AND PLAY INSTALLATION allows for continuous fixture connection. JUMPER CABLES are required to carry power & data from one fixture to the next.	
PCMJ-1/0-10V	1' BLACK JUMPER CABLE - For 0-10V runs
PCMJ-5/0-10V	5' BLACK JUMPER CABLE - For 0-10V runs

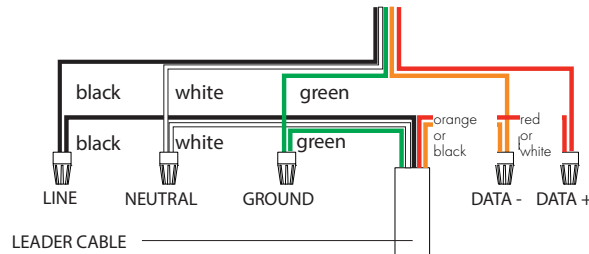
PROJECT:	FIXTURE TYPE:	CATALOG #:
----------	---------------	------------

SM - SURFACE MOUNT



WIRING

NON DIMMING / 0-10V DIMMING



⚠ WARNING

DISCONNECT POWER BEFORE INSTALLING OR SERVICING TO AVOID ELECTRICAL SHOCK.

⚠ WARNING

POWER CABLE SHOULD NOT SUPPORT WEIGHT OF FIXTURE: LEAVE LOOSE

MAXIMUM RUN LENGTHS

Wattage	120VAC	277VAC
3.5W	100 feet	200 feet
5W	100 feet	200 feet
7W	100 feet	200 feet
10W	70 feet	125 feet
13W	55 feet	100 feet